

H4 SL Bullet Camera with LightCatcher[™] Technology

Built on the Avigilon[™] H4 platform, the H4 SL camera line combines exceptional image quality with an innovative and modular design that is easy to install at a cost-effective price. It harnesses our High Definition Stream Management (HDSM)[™] technology to efficiently manage video data and uses idle scene mode technology to lower bandwidth and storage usage when there is no motion detected in the scene. The H4 SL camera line integrates with Avigilon Control Center (ACC) video management software and is ONVIF compliant for integration with a third-party VMS.



Straight out of the box, the H4 SL camera is designed and packaged for simple ordering and quick and flexible installation. This camera line's discreet and modular design allows it to seamlessly fit in to its surroundings. Bullet models have interchangeable brackets for maximum flexibility in mounting options, they can be vertically or horizontally-mounted with a versatile sunshade for unobstructed views. The H4 SL camera's IK10-rated, vandal-resistant and IP66 dust and water-resistant housing make it ideal for monitoring a variety of indoor and outdoor environments, such as hallways, public entrances and lobbies of banks, schools, retail outlets and hotels.

KEY FEATURES

1.3 and 2.0 megapixel resolution models
Patented High Definition Stream Management (HDSM) Technology
3-9 mm F/1.4 lens with remote zoom and focus
Content adaptive IR technology provides effective illumination through the field of view, while maintaining exceptional scene illumination
Wi-Fi camera configuration support
Avigilon LightCatcher [™] technology provides exceptional image quality in low light environments
Dual Exposure Wide Dynamic Range
Integrated IR (Infrared) LEDs provide uniform illumination in the dark, even at 0 lux, up to maximum of 15 m (~50 ft) away
Idle Scene Mode lowers bandwidth and storage usage if there are no motion events detected in the scene
IK10 vandal resistant construction and IP66 compliant

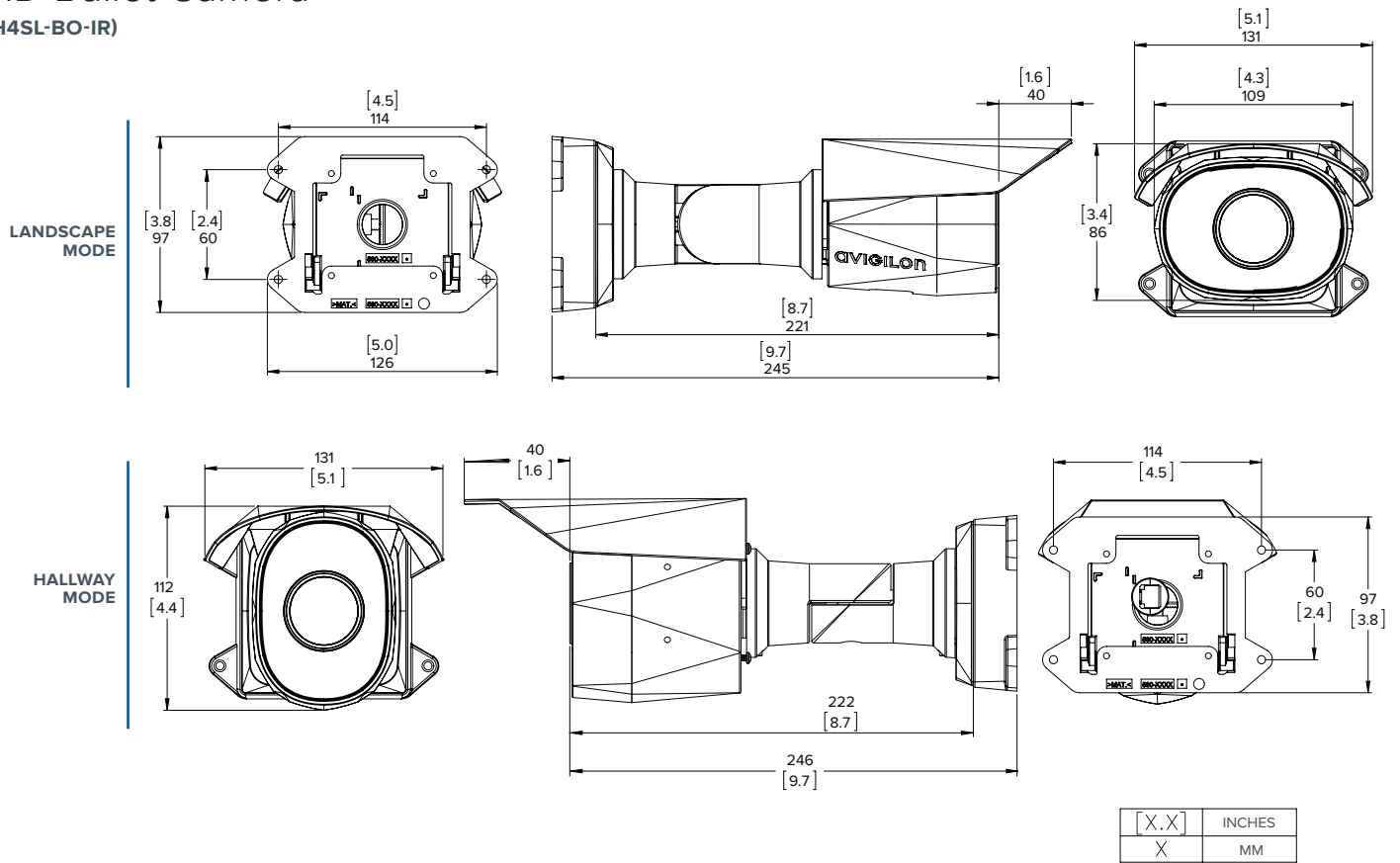
Specifications

		1.3 MP	2.0 MP						
IMAGE PERFORMANCE	Image Sensor	1/2.8" progressive scan CMOS							
	Aspect Ratio	5:4			16:9				
	Active Pixels (H x V)	1280 x 1024			1920 x 1080				
	Imaging Area (H x V)	3.7 mm x 3.0mm; 0.145" x 0.118"			5.6 mm x 3.1 mm; 0.22" x 0.122"				
	IR Illumination (high power 850 nm LEDs)	15 m (50 ft) max. distance at 0 lux							
	Minimum Illumination	0.01 lux (F/1.4) in color mode; 0 lux (F/1.4) in monochrome mode with IR							
	Image Rate	30 fps							
	Dynamic Range	100 dB							
	Resolution Scaling	Down to 384 x 216							
	LENS	Lens	F/1.4, 3-9 mm, motorized, varifocal						
(Aspect ratio) HFoV		(5:4) 26° – 60°; (16:9) 39° – 90°							
IMAGE CONTROL	Image Compression Method	H.264 (MPEG-4 Part 10/AVC), Motion JPEG							
	Streaming	Multi-stream H.264 and Motion JPEG							
	Bandwidth Management	HDSM; Idle Scene Mode							
	Motion Detection	Pixel							
	Electronic Shutter Control	Automatic, Manual (1/6 to 1/8000 sec)							
	Iris Control	Automatic, Manual							
	Day/Night Control	Automatic, Manual							
	Flicker Control	50 Hz, 60 Hz							
	White Balance	Automatic, Manual							
	Backlight Compensation	Adjustable							
Privacy Zones	Up to 64 zones								
NETWORK	Network	100BASE-TX							
	Cabling Type	CAT5							
	Connector	RJ-45							
	ONVIF	ONVIF compliant with version 1.02, 2.00, Profile S							
	Security	Password protection, HTTPS encryption, digest authentication, WS authentication, user access log, 802.1x port based authentication							
	Protocols	IPv4, HTTP, HTTPS, SOAP, DNS, NTP, RTSP, RTP, TCP, UDP, IGMP, ICMP, DHCP, Zeroconf, ARP							
	Streaming Protocols	RTP/UDP, RTP/UDP multicast, RTP/RTSP/TCP, RTP/RTSP/HTTP/TCP, RTP/RTSP/HTTPS/TCP, HTTP							
	Device Management Protocols	SNMP v2c, SNMP v3							
	PERIPHERALS	USB Port	USB 2.0						
Onboard Storage		microSD/microSDHC/microSDXC slot – minimum class 6; class 10/UHS-1 or better recommended							
MECHANICAL	Dimensions (LxWxH)	285 mm x 131 mm x 97mm; 11.2" x 5.1" x 3.8" (including mounting bracket)							
	Weight	Camera: 1.29 kg (2.84 lbs)							
		Mounting Bracket: 0.21 kg (0.46 lbs)							
	Body	Aluminum							
	Housing	Surface mount, tamper resistant, vandal resistant							
	Finish	Powder coat, cool grey							
Adjustment Range	±175° pan, ±90° tilt, ±175° azimuth								
ELECTRICAL	Power Consumption	9 W max							
	Power Source	PoE: IEEE802.3af Class 3 compliant							
	RTC Backup Battery	3V manganese lithium							
ENVIRONMENTAL	Operating Temperature	-30 °C to +60 °C (-22 °F to 140 °F)							
	Storage Temperature	-10 °C to +70 °C (14 °F to 158 °F)							
	Humidity	0 - 95% non-condensing							
CERTIFICATIONS	Certifications/Directives	UL	cUL	CE	WEEE	RCM	EAC	ROHS	
	Safety	UL 60950-1		CSA 60950-1	IEC/EN 60950-1		IEC 62471		
	Environmental	IK10 Impact Rating		UL/CSA/IEC 60950-22		IEC 60529 IP66 Rating			
	Electromagnetic Emissions	FCC Part 15 Subpart B Class B		IC ICES-003 Class B	EN 55022 Class B	EN 61000-6-3	EN 61000-3-2	EN 61000-3-3	EN 55032
	Electromagnetic Immunity	EN 55024		EN 61000-6-1		EN 50130-4			

Outline Dimensions

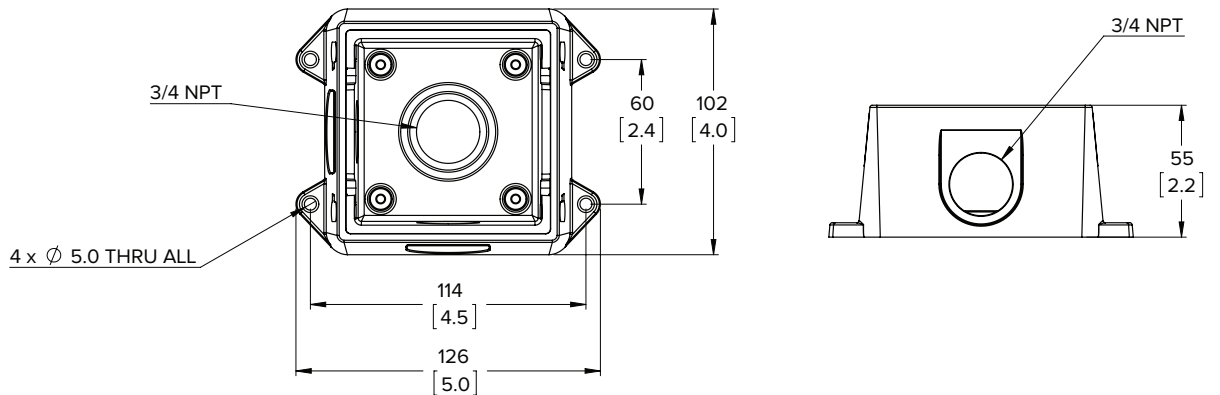
HD Bullet Camera

(H4SL-BO-IR)



HD Bullet Camera Junction Box

(H4-BO-JBOX1)



Ordering Information

	MP	WDR	LIGHTCATCHER TECHNOLOGY	LENS	IR	IP66
1.3C-H4SL-BO1-IR	1.3	✓	✓	3 - 9 mm	✓	✓
2.0C-H4SL-BO1-IR	2.0	✓	✓	3 - 9 mm	✓	✓
H4-BO-JBOX1	Junction box for H4 HD and H4 SL Bullet Cameras					
H4-MT-POLE1	Aluminum pole mounting bracket					
H4-MT-CRNR1	Aluminum corner mounting bracket					
H4-AC-WIFI1-NA	USB Wi-Fi Adapter for North America, Latin America (except Brazil), Taiwan					
H4-AC-WIFI2-EU	USB Wi-Fi Adapter for European Union					